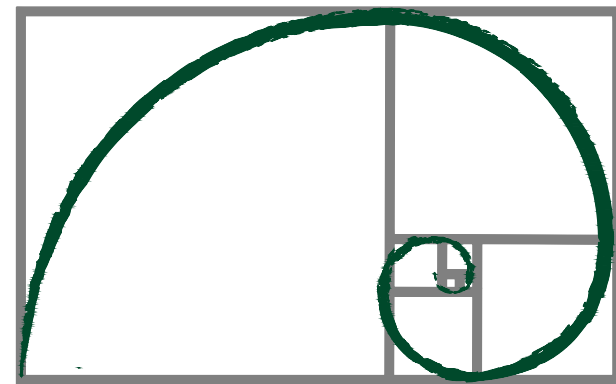


Z8



SPIRALIS

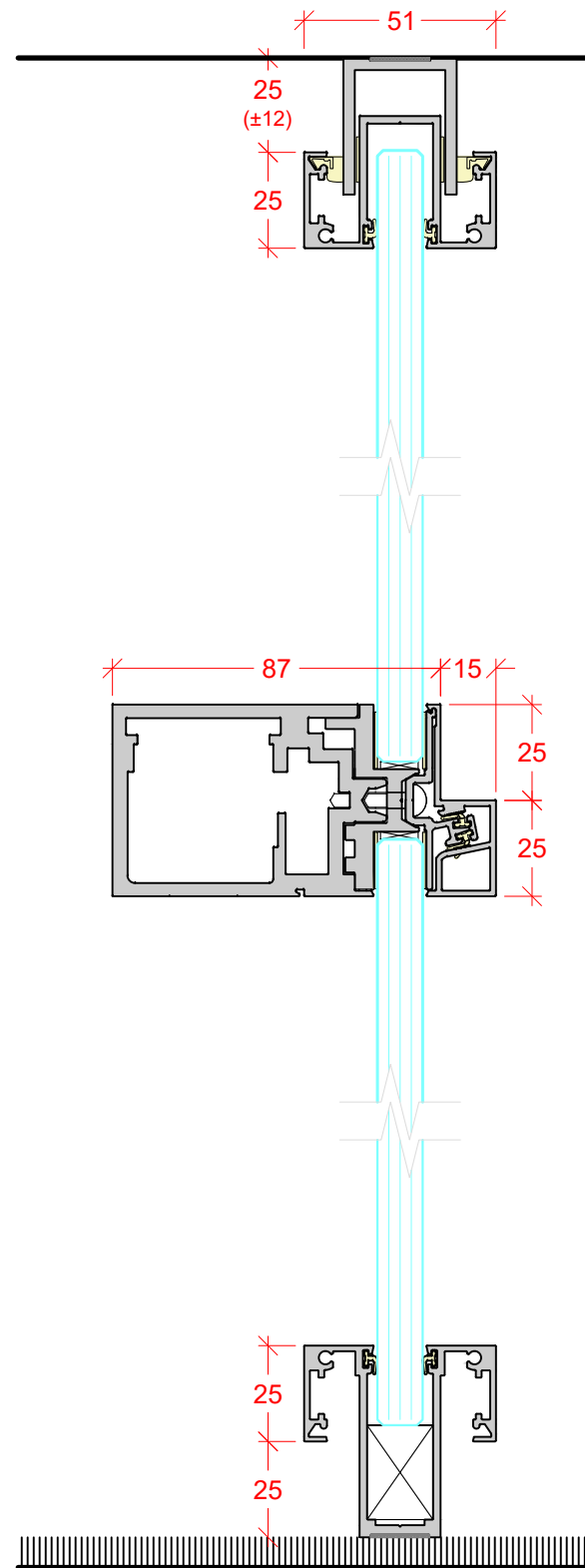
CONTENTS:

PAGE 1 - GLAZING PARTITION VERTICAL SECTIONS

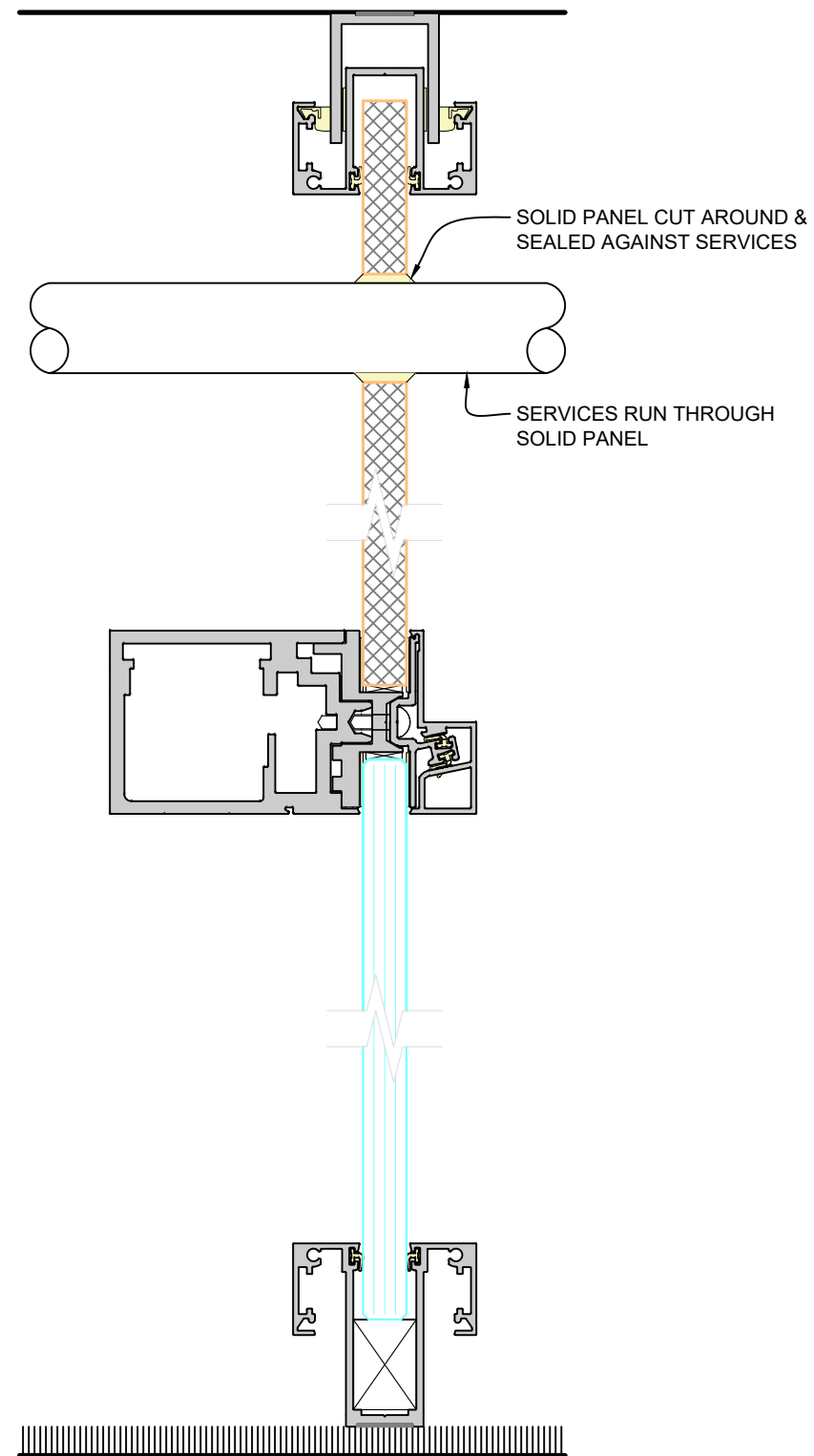
PAGE 2 - PIVOT & SLIDING DOORS VERTICAL SECTIONS

PAGE 3 - GLAZING PARTITION HORIZONTAL JUNCTIONS

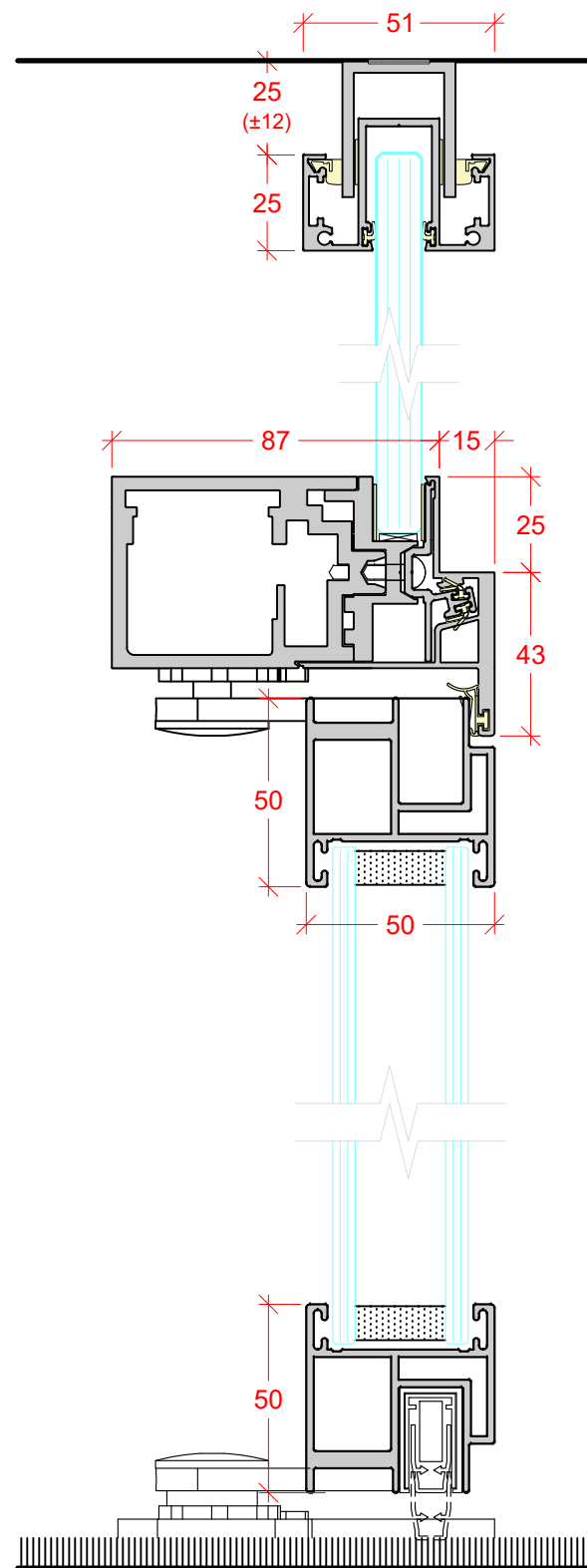
PAGE 4 - PIVOT & SLIDING DOORS HORIZONTAL SECTIONS



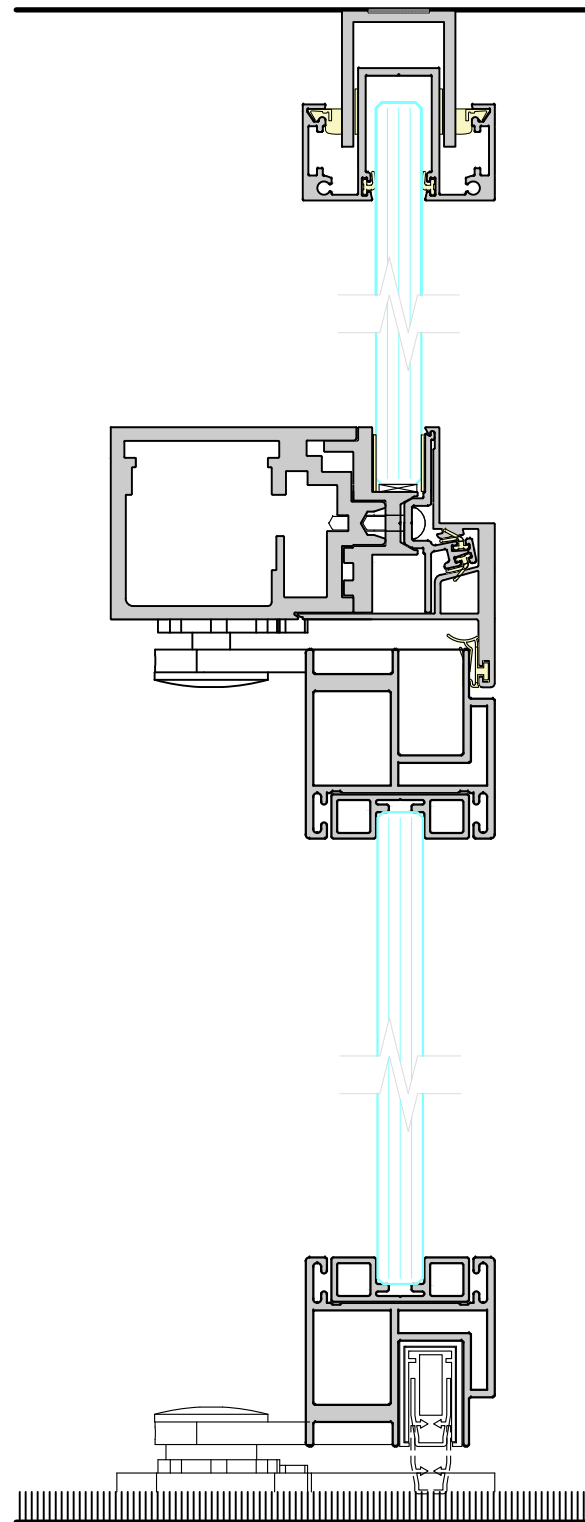
SINGLE GLAZED
 TRANSOM WITH GLASS BELOW & ABOVE
 10mm, 10.8mm, 12mm & 12.8mm GLASS



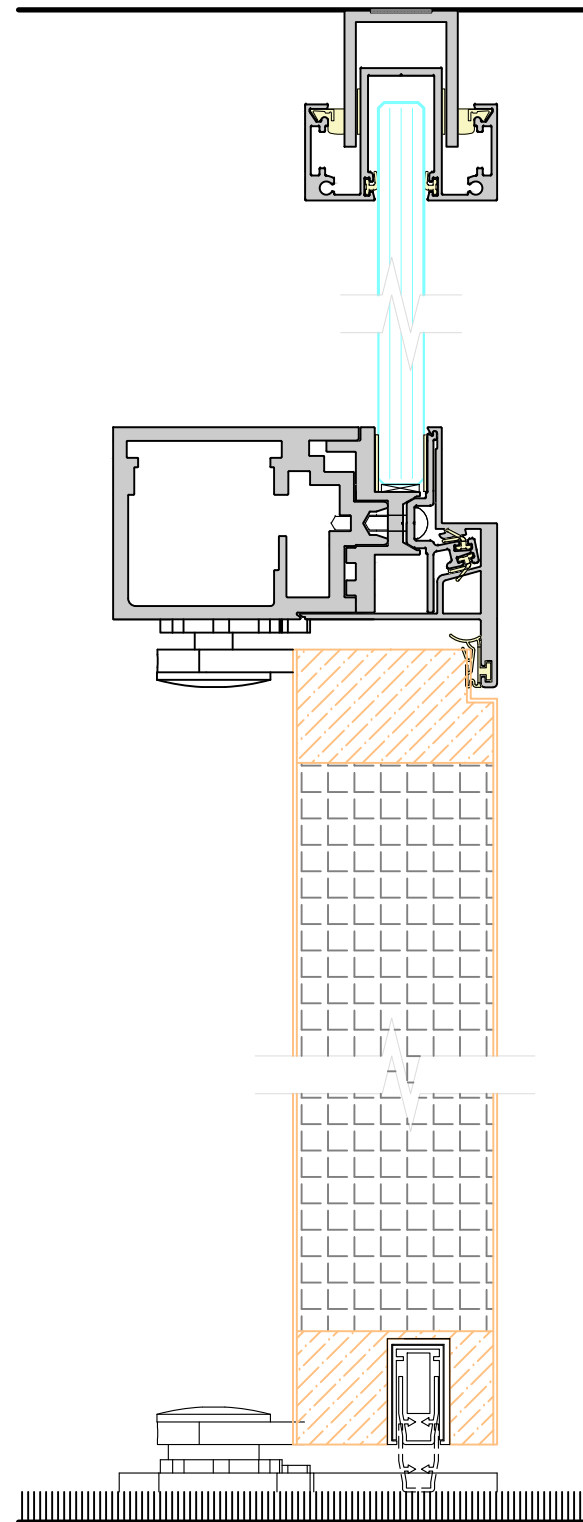
SINGLE GLAZED
 TRANSOM WITH GLASS BELOW & SOLID PANEL ABOVE
 10mm, 10.8mm, 12mm & 12.8mm GLASS



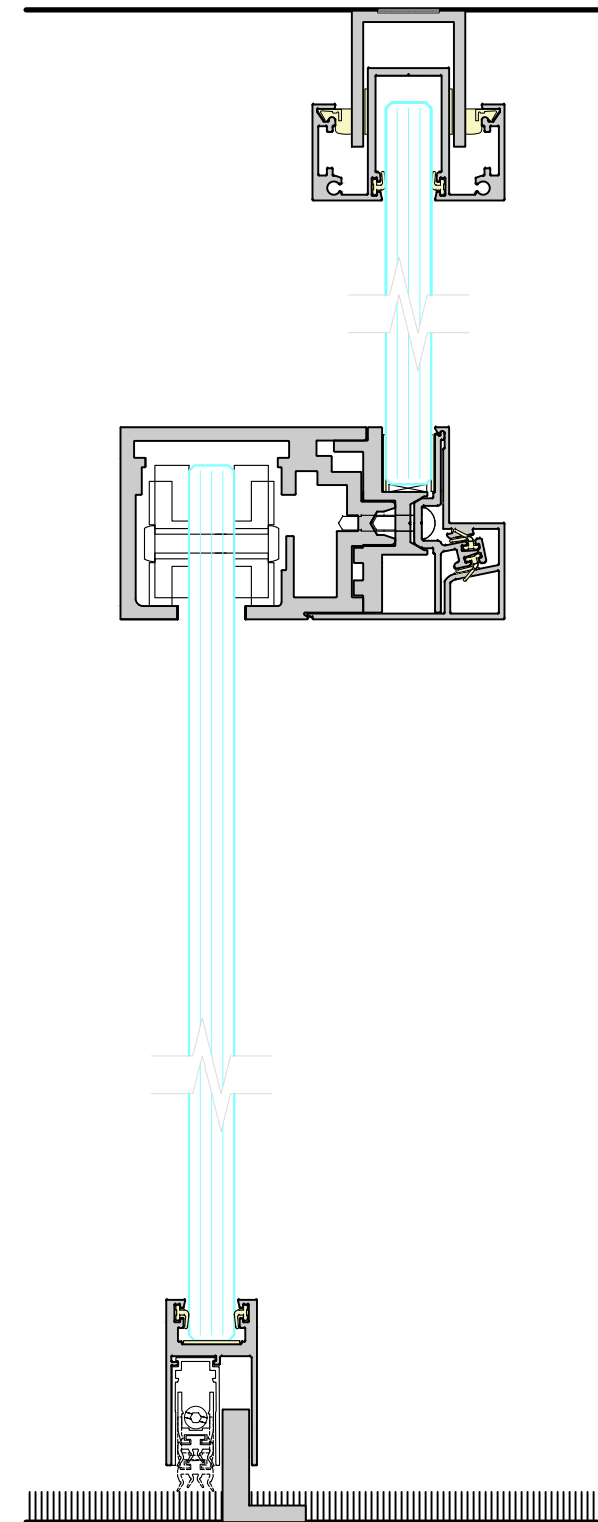
FRAMED DOUBLE GLAZED PIVOT DOOR
 36mm SEALED GLASS UNIT
 FLOOR CLOSER IF REQUIRED



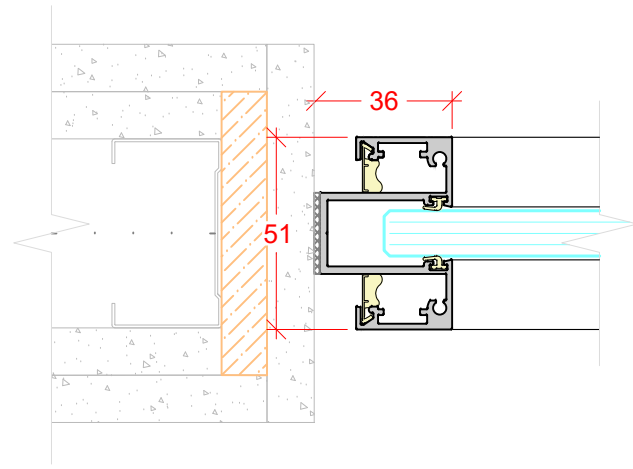
FRAMED SINGLE GLAZED PIVOT DOOR
 10mm, 12mm GLASS
 FLOOR CLOSER IF REQUIRED



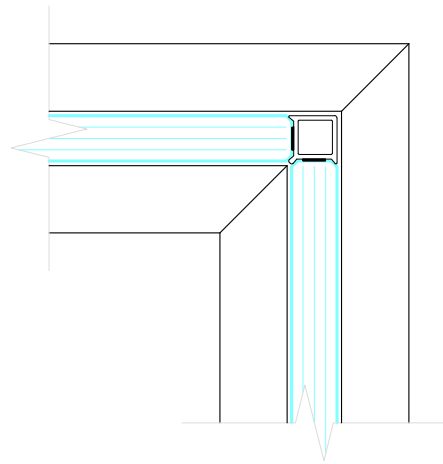
SOLID PIVOT DOOR
 44mm & 54mm LEAF
 FLOOR CLOSER IF REQUIRED



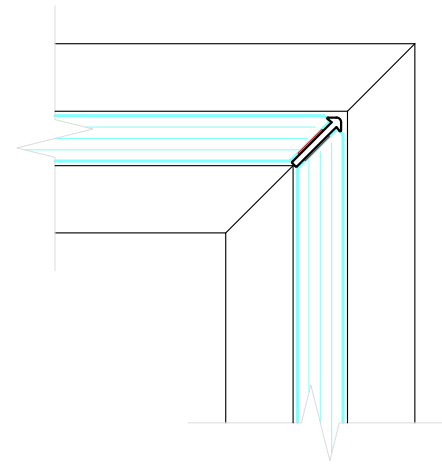
FRAMED SINGLE GLAZED SLIDING DOOR
 FRAMED DOOR WITH DROP DOWN SEAL
 10mm, 12mm GLASS



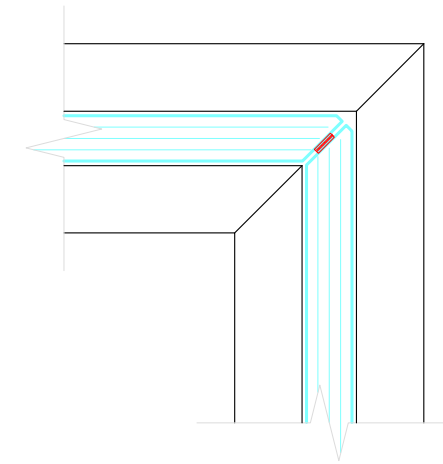
STANDARD WALL ABUTMENT



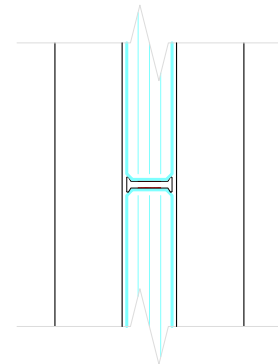
GLASS CORNER JOINT
POLYCARB CORNER JOINT



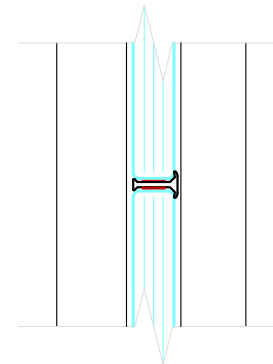
GLASS CORNER JOINT
ALUMINIUM CORNER JOINING STRIP



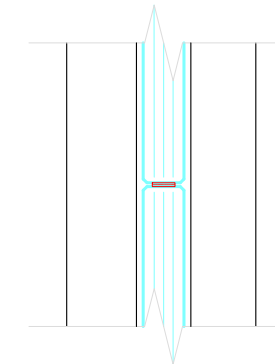
GLASS CORNER JOINT
MITRED & TAPED JOINT



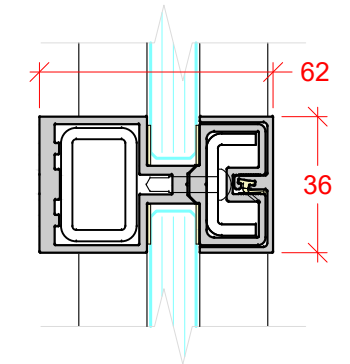
GLASS STRAIGHT JOINT
POLYCARB STRAIGHT JOINT



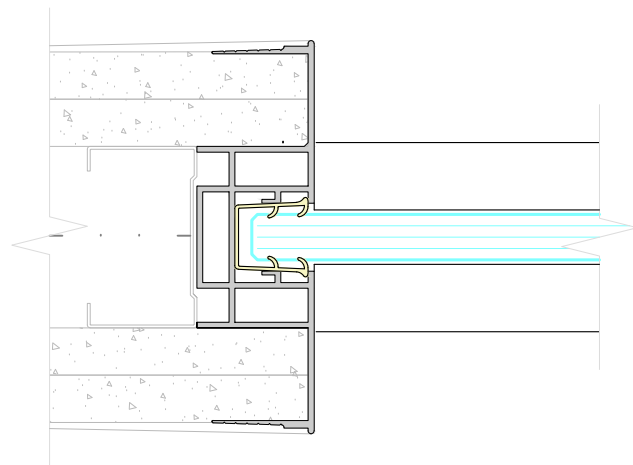
GLASS STRAIGHT JOINT
ALUMINIUM STRAIGHT JOINING STRIP



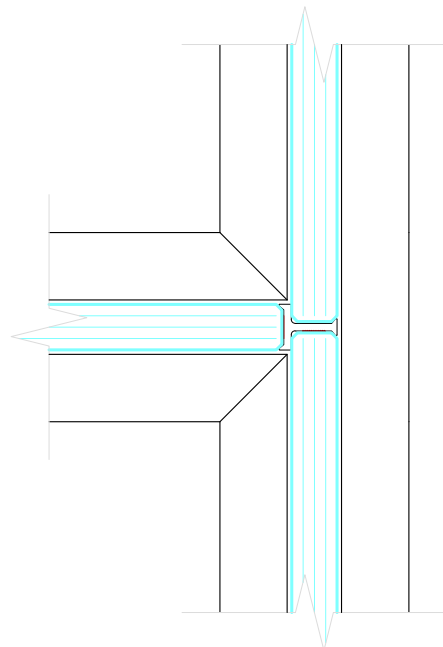
GLASS STRAIGHT JOINT
TAPED JOINT



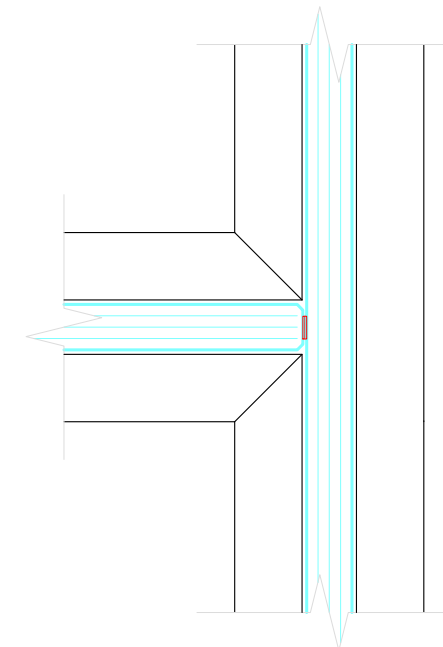
GLASS STRAIGHT JOINT
JUNCTION POST



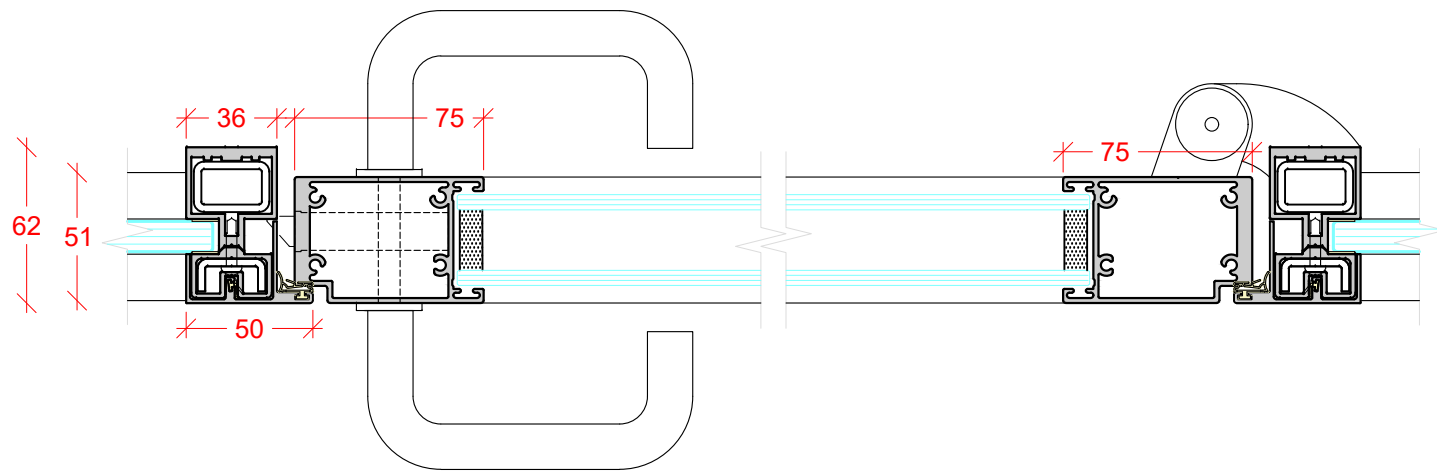
INTEGRATED WALL ABUTMENT



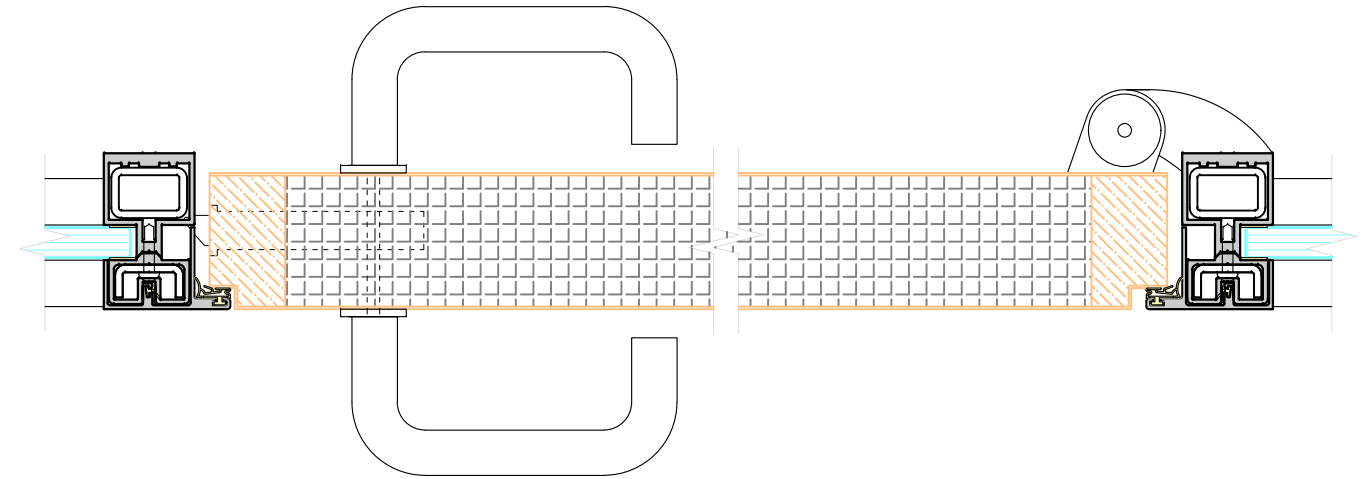
GLASS 3 WAY JUNCTION
POLYCARB 3 WAY JUNCTION



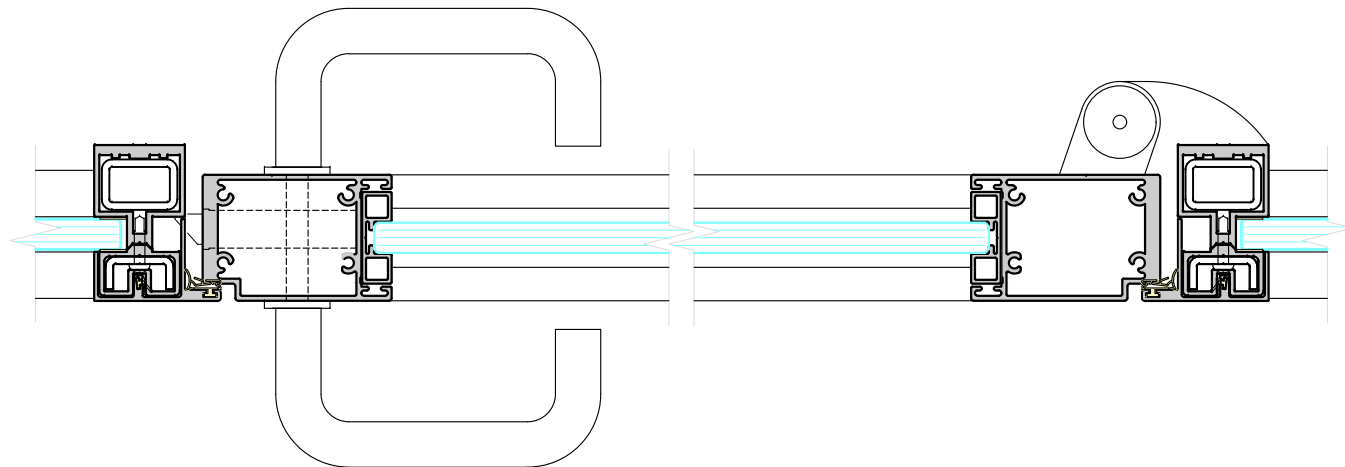
GLASS 3 WAY JUNCTION
TAPED JOINT



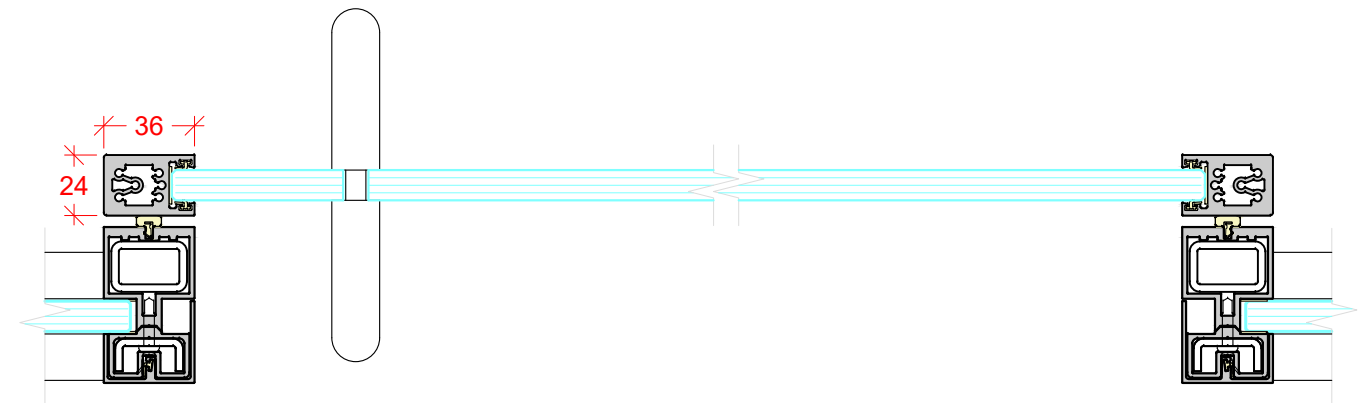
DOUBLE GLAZED PIVOT DOOR
 36mm SEALED GLASS UNIT
 FLOOR CLOSER IF REQUIRED



SOLID PIVOT DOOR
 44mm & 54mm LEAF
 FLOOR CLOSER IF REQUIRED



SINGLE GLAZED PIVOT DOOR
 10mm, 12mm GLASS
 FLOOR CLOSER IF REQUIRED



SINGLE GLAZED SLIDING DOOR
 FRAMED DOOR
 10mm, 12mm GLASS