



# Spiralis Office Partition Systems

# Spiralis Office Partition Systems

---

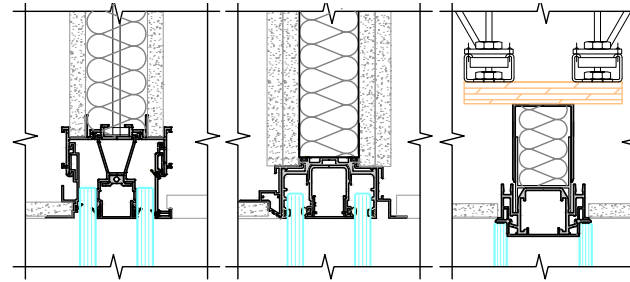
With over 30 years of solid experience in the office partition walls sector, we have developed eight wall systems tailored to meet the specific requirements of modern office workplaces.

Our glazed partition walls provide a high level of visual and acoustic privacy and can be combined with solid partition walls to offer an integrated solution. Ideal for offices and meeting rooms, our partition walls provide different transparency levels and ways of retaining glass in position. Thanks to their modular design and reusable components, our demountable partitions can be reconfigured to match evolving workplace needs.

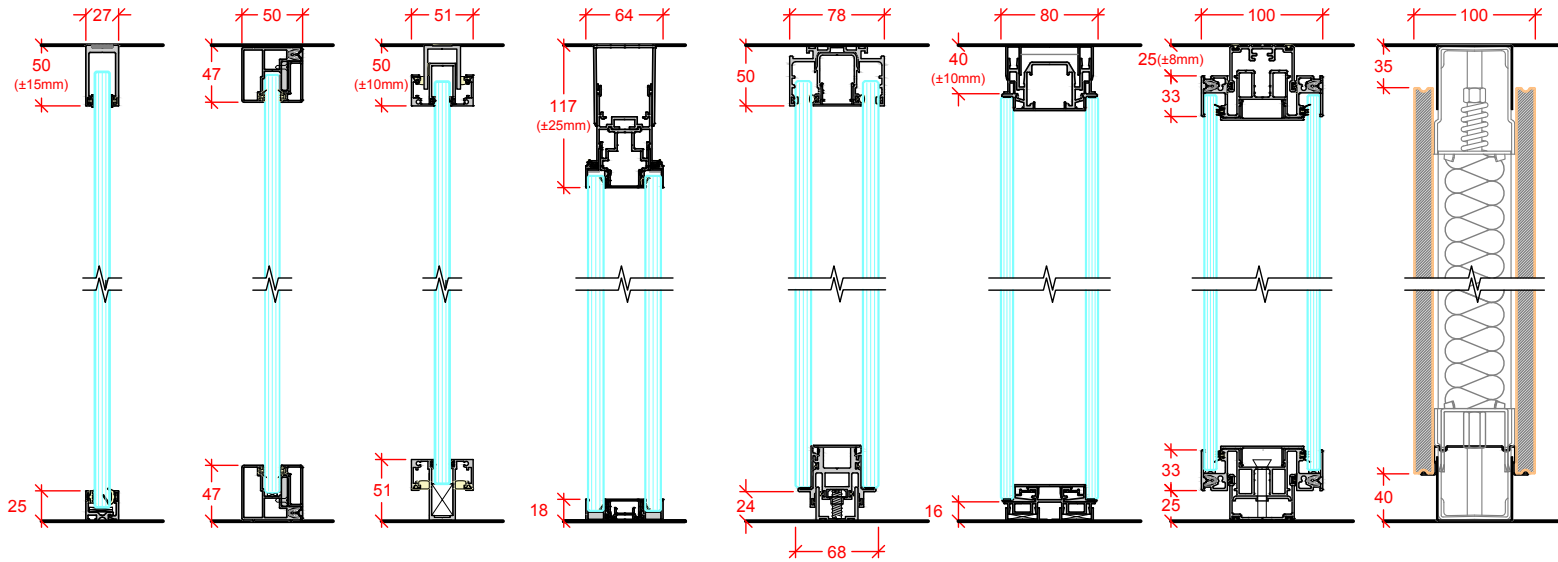
# Typology of Spiralis Office Partition Systems

TYPOLOGY	SYSTEMS							
	P30	P50	Z8	Z6	I-WALL	VISTA	P100	DIVA
Glazed Flush Frameless Partition Walls					X	X		
Glazed Partition Walls	X	X	X	X			X	
Solid Partition Walls								X
Interior Wall Cladding							X	X
Drywall Partition						X	X	X
Curved Partition Walls	X	X	X	X	X	X	X	
Whiteboard Walls						X	X	X

# Typical Vertical Sections



INTEGRATED CEILING OPTIONS



SYSTEM	P30	P50	Z8	Z6	I-WALL	VISTA	P100	DIVA
MAX HEIGHT	3000mm	3300mm	4500mm	3000mm	3000mm	3600mm	3600mm	5000mm
THICKNESS	27mm	50mm / 90mm	51mm / 102mm	64mm	68mm / 78mm	80mm	100mm	100mm
MAX RwdB RATING	40	40	38	43	50	45	50	48

All rights reserved. All drawings and written material appearing herein constitutes original and unpublished work of Spiralis Europe Ltd and may not be duplicated, used or disclosed without written consent of Spiralis Europe Ltd.

## **Spiralis Europe Ltd**

7 Wenlock Road  
London  
N1 7SL UK

[info@spiraliseurope.com](mailto:info@spiraliseurope.com)

+44 (0)20 3764 5151